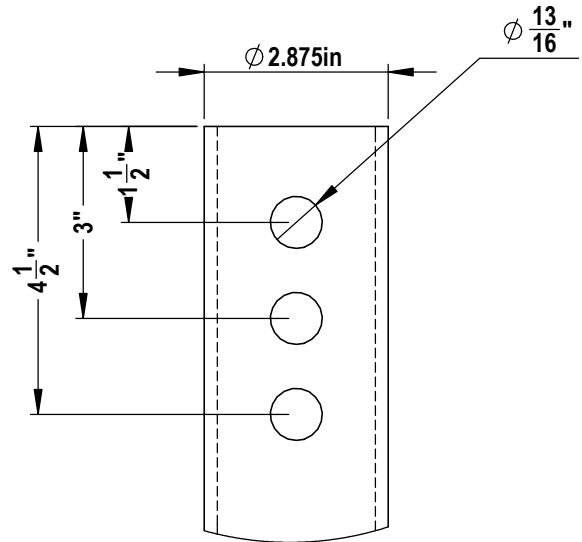
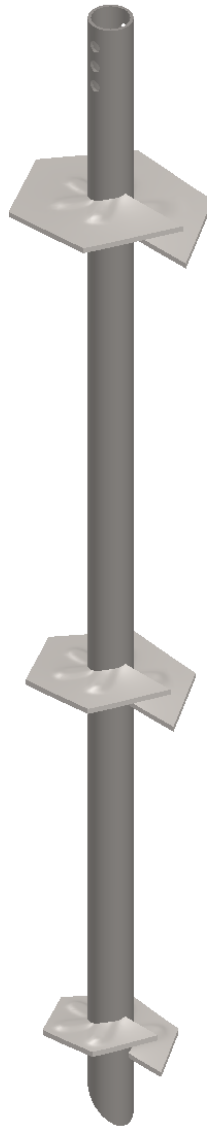
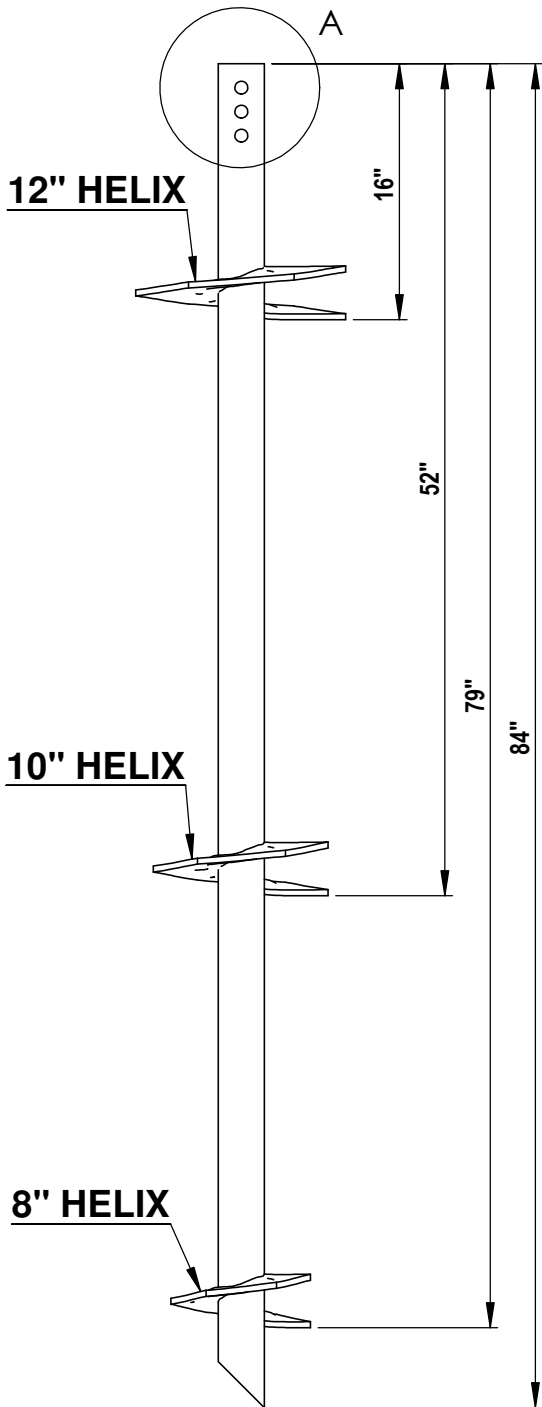
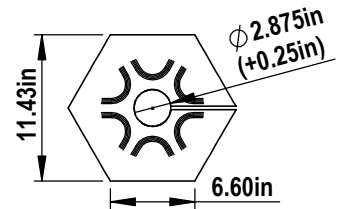


NOTES:

1. SHAFT: ROUND STRUCTURAL ERW TUBING PER ASTM A500 GR B, 2.50" SCH40. MINIMUM YIELD 50 KSI, MINIMUM TENSILE STRENGTH 65 KSI AND MINIMUM ELONGATION 23 PERCENT.
2. TORQUE STRENGTH RATING = 6,000 FT-LB
3. LOAD TO TORQUE RATIO (KT) = 9
4. USE THREE 3/4" A307 GR A BOLTS TO ATTACH TO AN EXTENSION.
5. AVAILABLE NOMINAL LENGTHS ARE 2', 5', 7' AND 10.5'

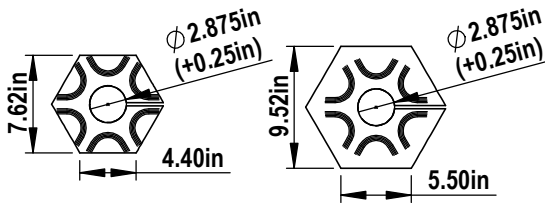


A **DETAIL A**
N.T.S.



4 **12" HELIX**
N.T.S.

1 **2.5" SCH40 TRIPLE HELIX**
1" = 1' 0"



2 **8" HELIX**
N.T.S.

3 **10" HELIX**
N.T.S.

CANTSINK MANUFACTURING, INC.



71 First Avenue, N.W.
Lilburn, Georgia 30047
678-280-PILE(7453)
FAX:678-280-3476

Title: CANTSINK HELICAL PILE LEAD

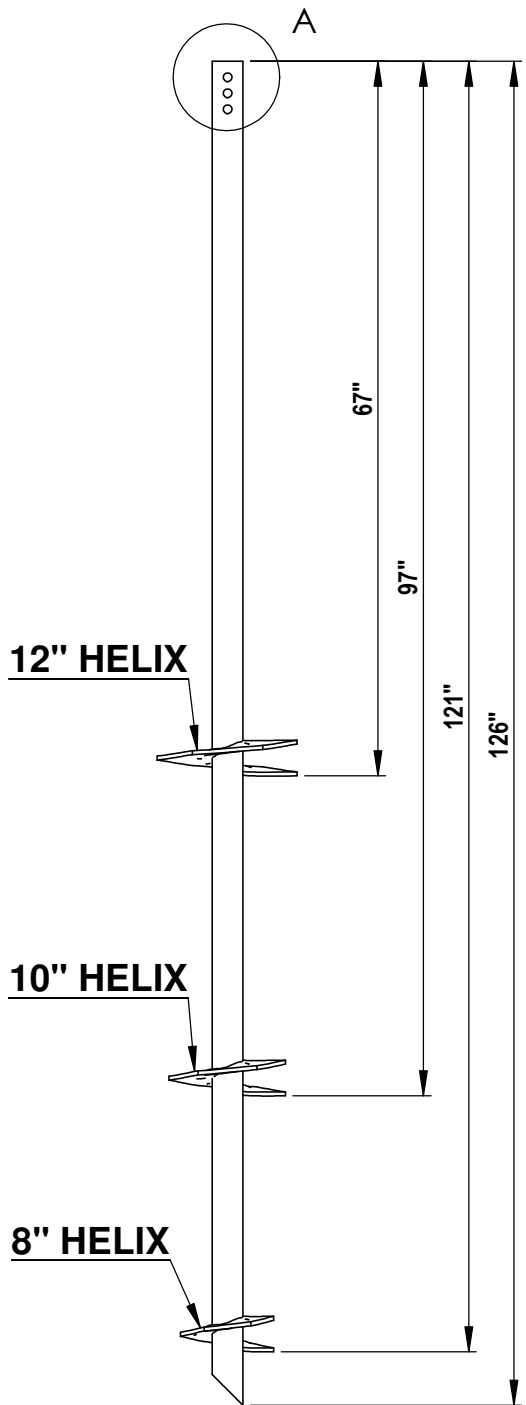
Catalog No. 2.5-40L07-8-10-12

Revision: RV-12-3/3/2020

Scale: N.T.S.

Drawn by: LXSS

Sheet: 1/1

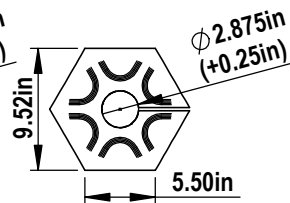
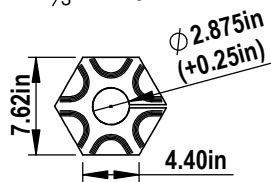


12" HELIX

10" HELIX

8" HELIX

1 2.5" SCH40 TRIPLE HELIX
 $\frac{2}{3}" = 1' 0"$

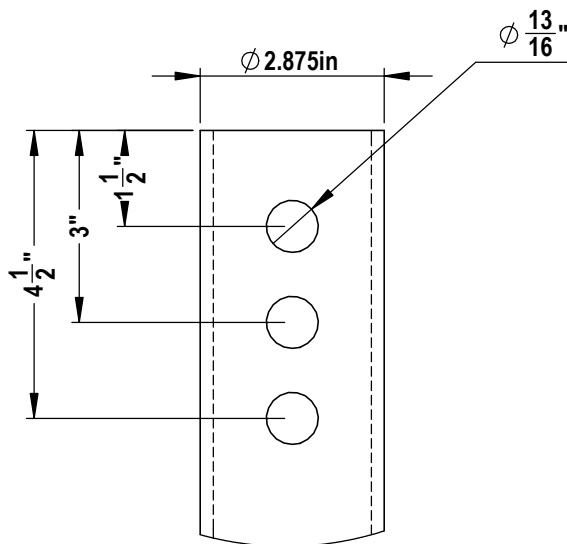
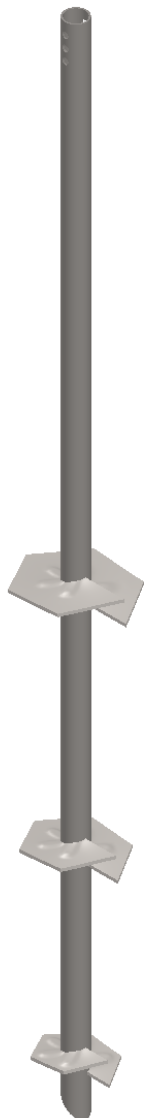


2 8" HELIX
 N.T.S.

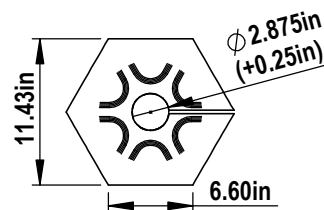
3 10" HELIX
 N.T.S.

NOTES:

1. SHAFT: ROUND STRUCTURAL ERW TUBING PER ASTM A500 GR B, 2.50" SCH40. MINIMUM YIELD 50 KSI, MINIMUM TENSILE STRENGTH 65 KSI AND MINIMUM ELONGATION 23 PERCENT.
2. TORQUE STRENGTH RATING = 6,000 FT-LB
3. LOAD TO TORQUE RATIO (KT) = 9
4. USE THREE $\frac{3}{4}"$ A307 GR A BOLTS TO ATTACH TO AN EXTENSION.
5. AVAILABLE NOMINAL LENGTHS ARE 2', 5', 7' AND 10.5'



A **DETAIL A**
 N.T.S.



4 12" HELIX
 N.T.S.

CANTSINK MANUFACTURING, INC.



71 First Avenue, N.W.
 Lilburn, Georgia 30047
 678-280-PILE(7453)
 FAX:678-280-3476

Title: CANTSINK HELICAL PILE LEAD

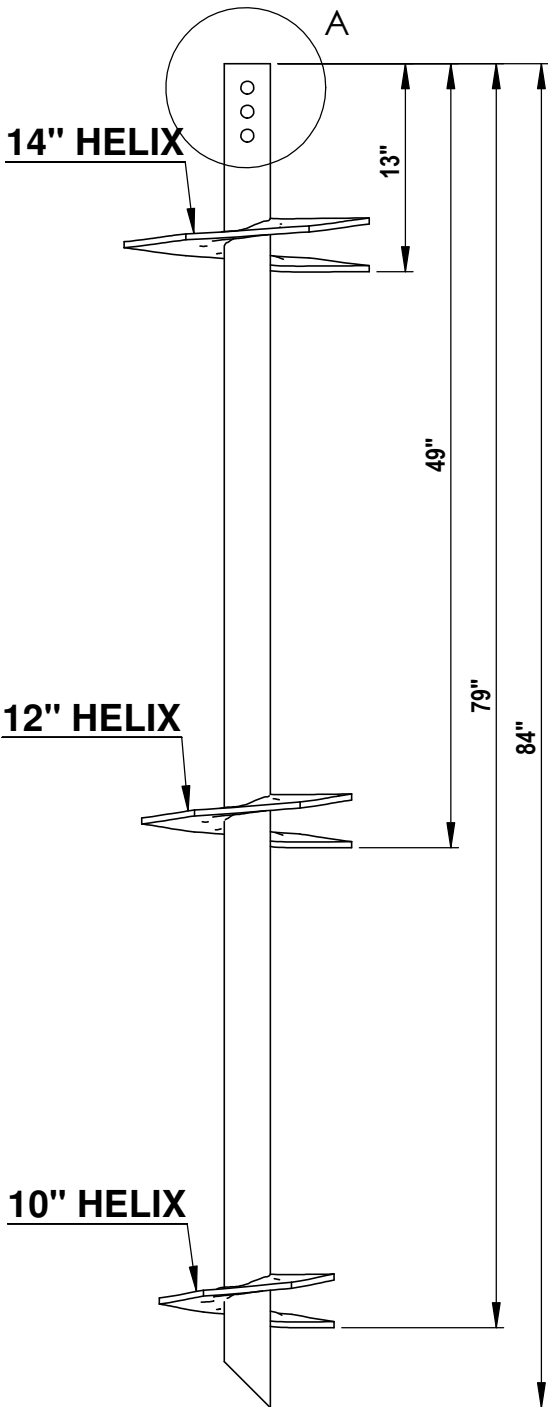
Catalog No. 2.5-40L10-8-10-12

Revision: RV-12-3/3/2020

Scale: N.T.S.

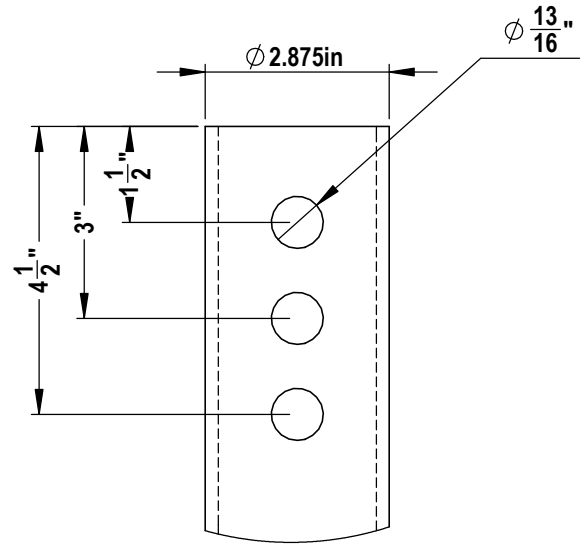
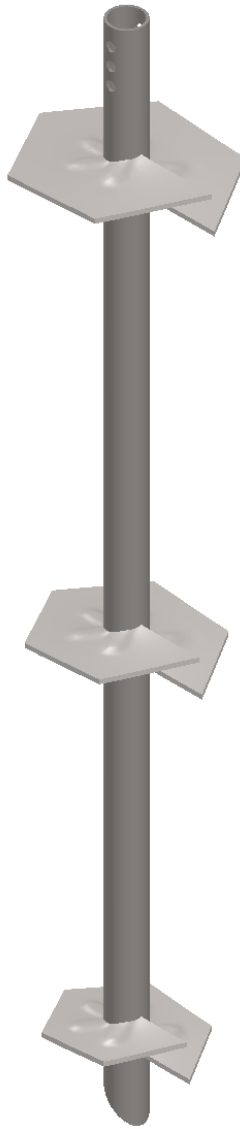
Drawn by: LXSS

Sheet: 1/1

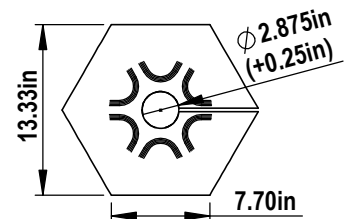


NOTES:

1. SHAFT: ROUND STRUCTURAL ERW TUBING PER ASTM A500 GR B, 2.50" SCH40. MINIMUM YIELD 50 KSI, MINIMUM TENSILE STRENGTH 65 KSI AND MINIMUM ELONGATION 23 PERCENT.
2. TORQUE STRENGTH RATING = 6,000 FT-LB
3. LOAD TO TORQUE RATIO (KT) = 9
4. USE THREE 3/4" A307 GR A BOLTS TO ATTACH TO AN EXTENSION.
5. AVAILABLE NOMINAL LENGTHS ARE 2', 5', 7' AND 10.5'

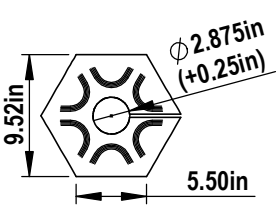


A **DETAIL A**
N.T.S.

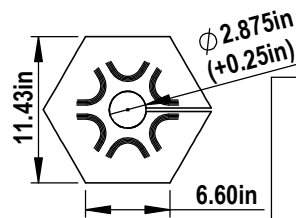


4 **14" HELIX**
N.T.S.

1 **2.5" SCH40 TRIPLE HELIX**
1" = 1' 0"



2 **10" HELIX**
N.T.S.



3 **12" HELIX**
N.T.S.

CANTSINK MANUFACTURING, INC.

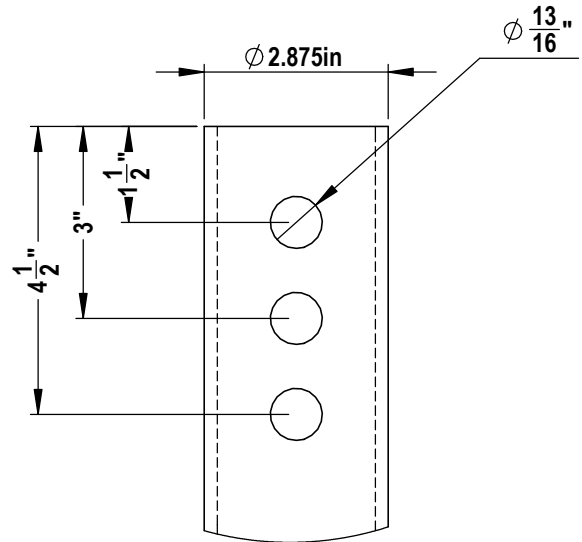
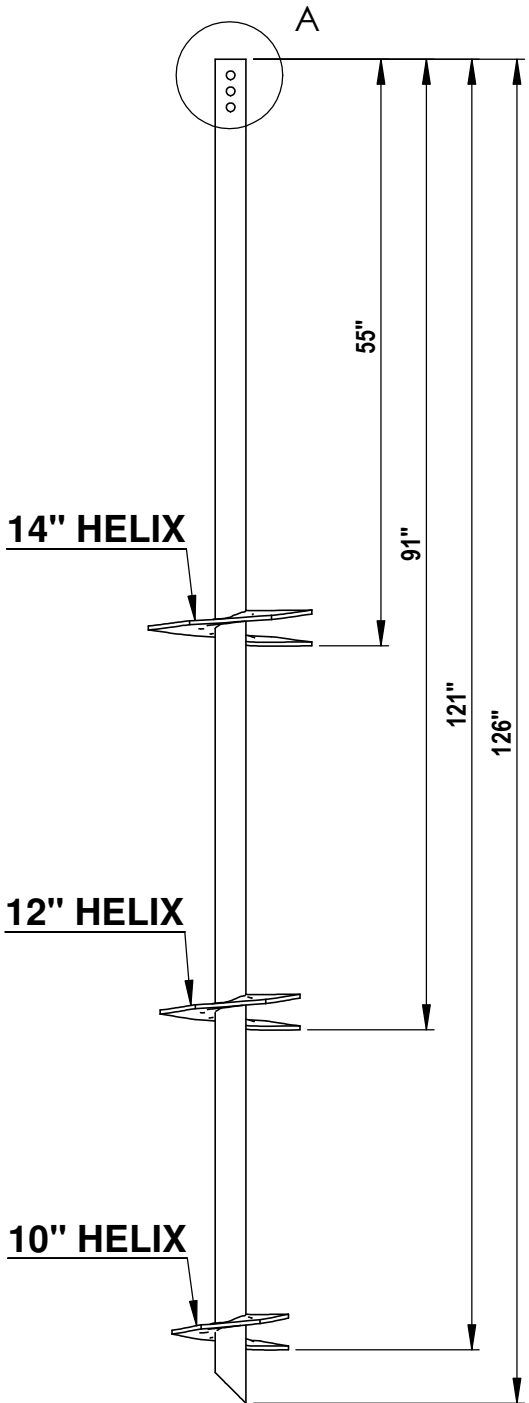


71 First Avenue, N.W.
Lilburn, Georgia 30047
678-280-PILE(7453)
FAX:678-280-3476

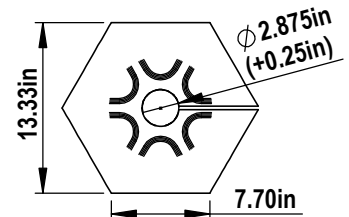
Title: CANTSINK HELICAL PILE LEAD		Catalog No. 2.5-40L07-10-12-14	
Revision: RV-12-3/3/2020	Scale: N.T.S.	Drawn by: LXSS	Sheet: 1/1

NOTES:

1. SHAFT: ROUND STRUCTURAL ERW TUBING PER ASTM A500 GR B, 2.50" SCH40. MINIMUM YIELD 50 KSI, MINIMUM TENSILE STRENGTH 65 KSI AND MINIMUM ELONGATION 23 PERCENT.
2. TORQUE STRENGTH RATING = 6,000 FT-LB
3. LOAD TO TORQUE RATIO (KT) = 9
4. USE THREE 3/4" A307 GR A BOLTS TO ATTACH TO AN EXTENSION.
5. AVAILABLE NOMINAL LENGTHS ARE 2', 5', 7' AND 10.5'

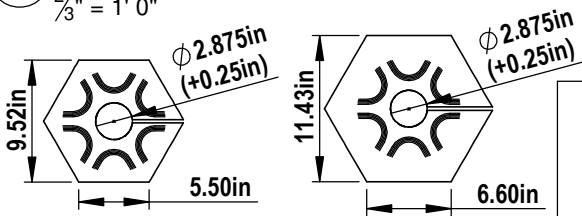


A **DETAIL A**
N.T.S.



4 **14" HELIX**
N.T.S.

1 **2.5" SCH40 TRIPLE HELIX**
2/3" = 1' 0"



2 **10" HELIX**
N.T.S.

3 **12" HELIX**
N.T.S.

CANTSINK MANUFACTURING, INC.



71 First Avenue, N.W.
Lilburn, Georgia 30047
678-280-PILE(7453)
FAX:678-280-3476

Title: CANTSINK HELICAL PILE LEAD

Catalog No. 2.5-40L10-10-12-14

Revision: RV-12-3/3/2020

Scale: N.T.S.

Drawn by: LXSS

Sheet: 1/1