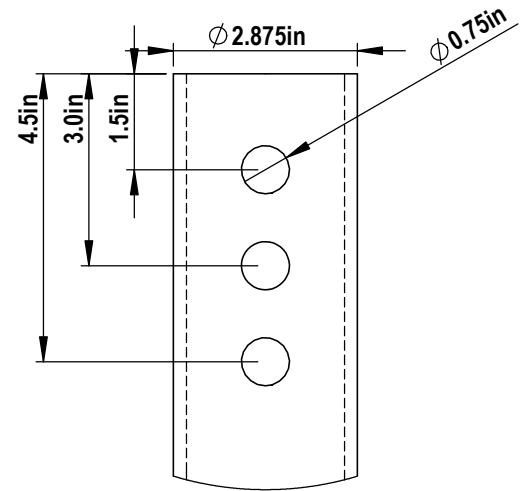
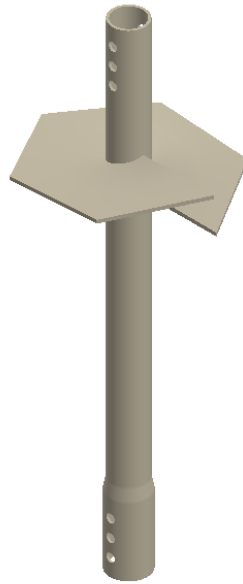
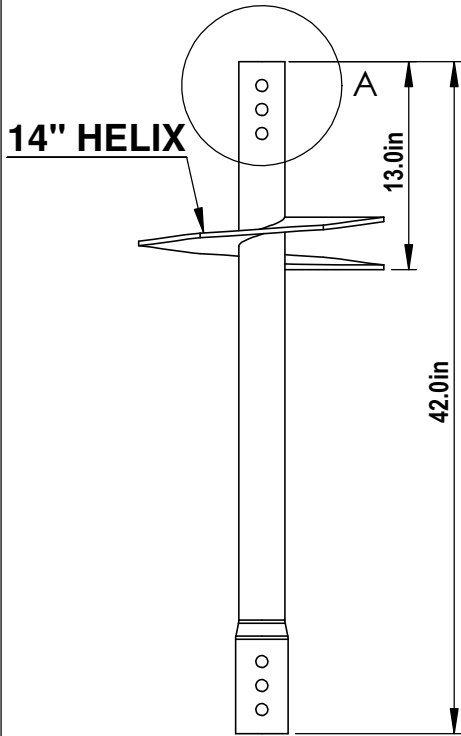


NOTES:

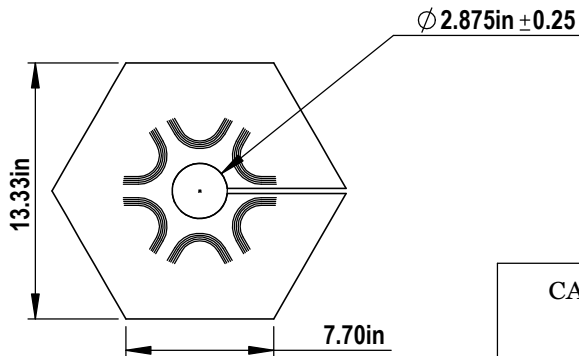
1. SHAFT: ROUND STRUCTURAL ERW TUBING PER ASTM A500 GR B, 2.5" SCH40. MINIMUM YIELD 50 KSI, MINIMUM TENSILE STRENGTH 65 KSI AND MINIMUM ELONGATION 23 PERCENT.
2. TORQUE STRENGTH RATING = 6,000 FT-LB
3. LOAD TO TORQUE RATIO (KT) = 9
4. USE THREE $\frac{3}{4}$ " A307 GR A BOLTS TO ATTACH TO AN EXTENSION.
5. AVAILABLE NOMINAL LENGTHS ARE 2', 5', 7' AND 10.5'



A **DETAIL A**
N.T.S.

DETAIL A
SCALE 1 : 3

1 **2.5" SCH40 Extension**
1" = 1'-0"



3 **16" HELIX**
N.T.S.

2 **14" HELIX**
N.T.S.

CANTSINK MANUFACTURING, INC.

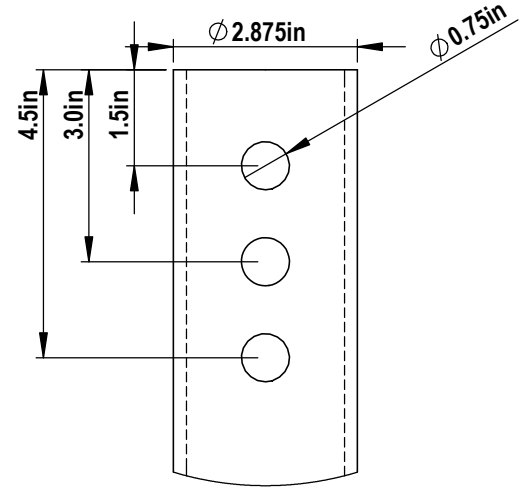
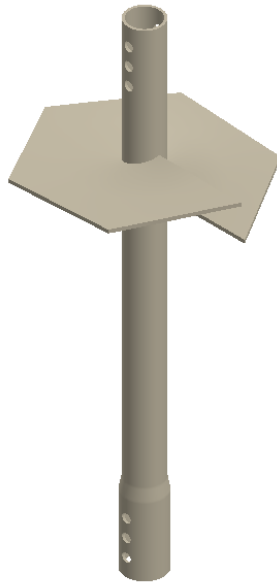
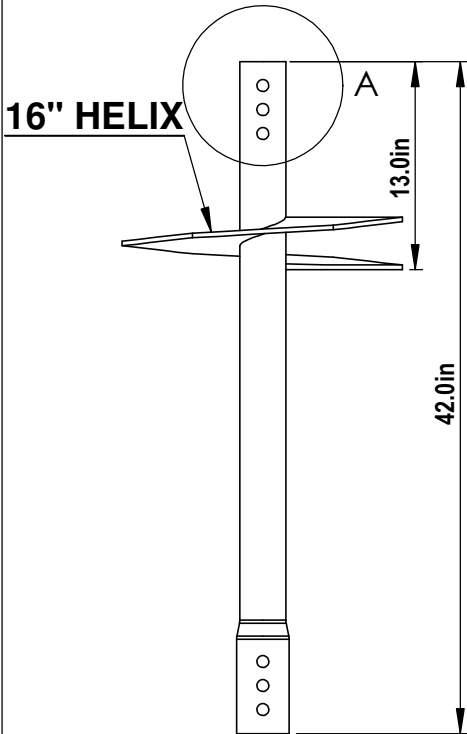


71 First Avenue, N.W.
Lilburn, Georgia 30047
678-280-PILE(7453)
FAX:678-280-3476

Title: CANTSINK HELICAL PILE LEAD		Catalog No. 2.5-40X03.5-14	
Revision: RV-12-12/1/2017	Scale: N.T.S.	Drawn by: LXSS	Sheet: 1/1

NOTES:

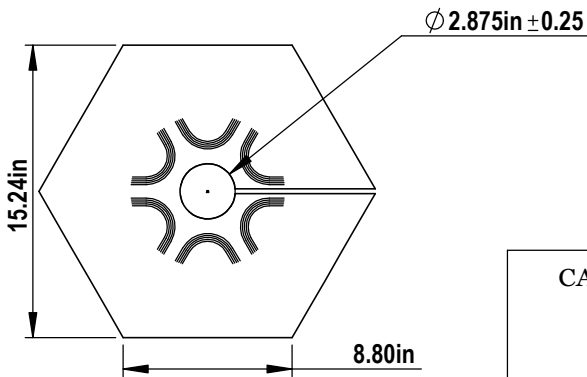
1. SHAFT: ROUND STRUCTURAL ERW TUBING PER ASTM A500 GR B, 2.50" SCH40. MINIMUM YIELD 50 KSI, MINIMUM TENSILE STRENGTH 65 KSI AND MINIMUM ELONGATION 23 PERCENT.
2. TORQUE STRENGTH RATING = 6,000 FT-LB
3. LOAD TO TORQUE RATIO (KT) = 9
4. USE THREE $\frac{3}{4}$ " A307 GR A BOLTS TO ATTACH TO AN EXTENSION.
5. AVAILABLE NOMINAL LENGTHS ARE 2', 5', 7' AND 10.5'



A **DETAIL A**
N.T.S.

DETAIL A
SCALE 1 : 3

1 **2.5" SCH40 Extension**
1" = 1'-0"



2 **16" HELIX**
N.T.S.

3 **16" HELIX**
N.T.S.

CANTSINK MANUFACTURING, INC.

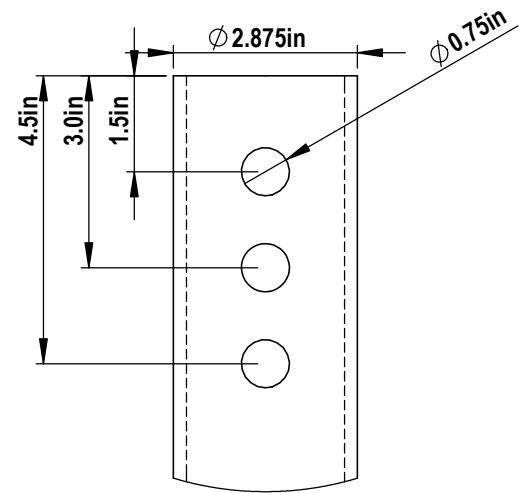
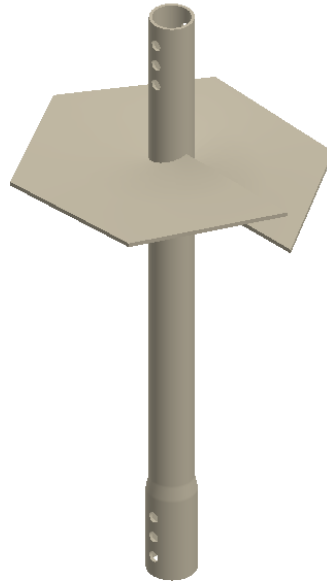
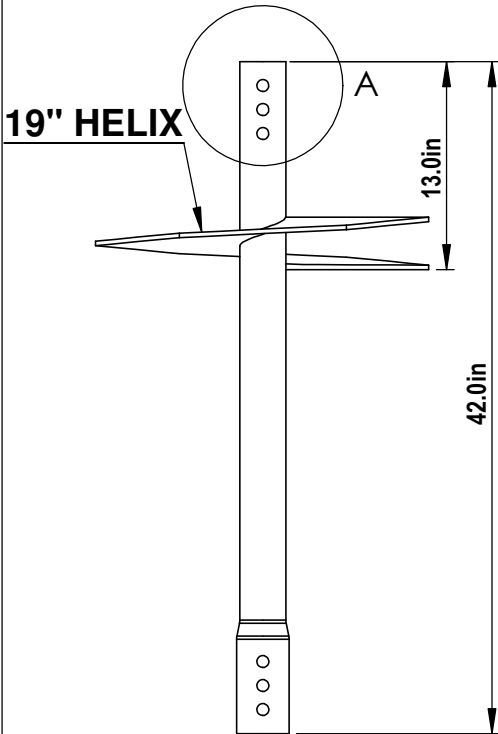


71 First Avenue, N.W.
Lilburn, Georgia 30047
678-280-PILE(7453)
FAX:678-280-3476

Title: CANTSINK HELICAL PILE LEAD		Catalog No. 2.5-40X03.5-16	
Revision: RV-12-12/1/2017	Scale: N.T.S.	Drawn by: LXSS	Sheet: 1/1

NOTES:

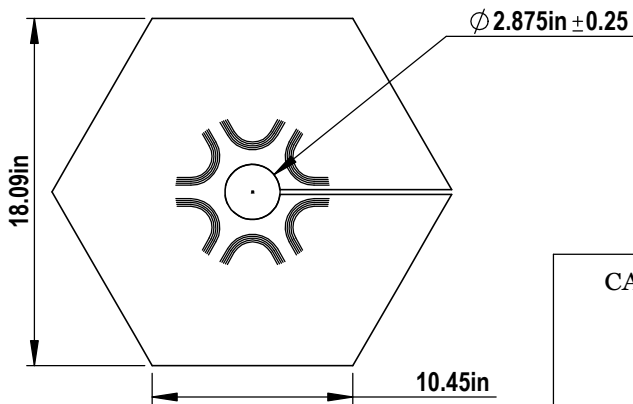
1. SHAFT: ROUND STRUCTURAL ERW TUBING PER ASTM A500 GR B, 2.50" SCH40. MINIMUM YIELD 50 KSI, MINIMUM TENSILE STRENGTH 65 KSI AND MINIMUM ELONGATION 23 PERCENT.
2. TORQUE STRENGTH RATING = 6,000 FT-LB
3. LOAD TO TORQUE RATIO (KT) = 9
4. USE THREE $\frac{3}{4}$ " A307 GR A BOLTS TO ATTACH TO AN EXTENSION.
5. AVAILABLE NOMINAL LENGTHS ARE 2', 5', 7' AND 10.5'



A **DETAIL A**
N.T.S.

DETAIL A
SCALE 1 : 3

1 **2.5" SCH40 Extension**
1" = 1'-0"



2 **19" HELIX**
N.T.S.

3 **16" HELIX**
N.T.S.

CANTSINK MANUFACTURING, INC.



71 First Avenue, N.W.
Lilburn, Georgia 30047
678-280-PILE(7453)
FAX:678-280-3476

Title: CANTSINK HELICAL PILE LEAD		Catalog No. 2.5-40X03.5-19	
Revision: RV-12-12/1/2017	Scale: N.T.S.	Drawn by: LXSS	Sheet: 1/1