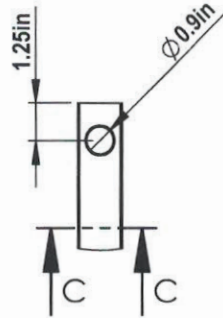
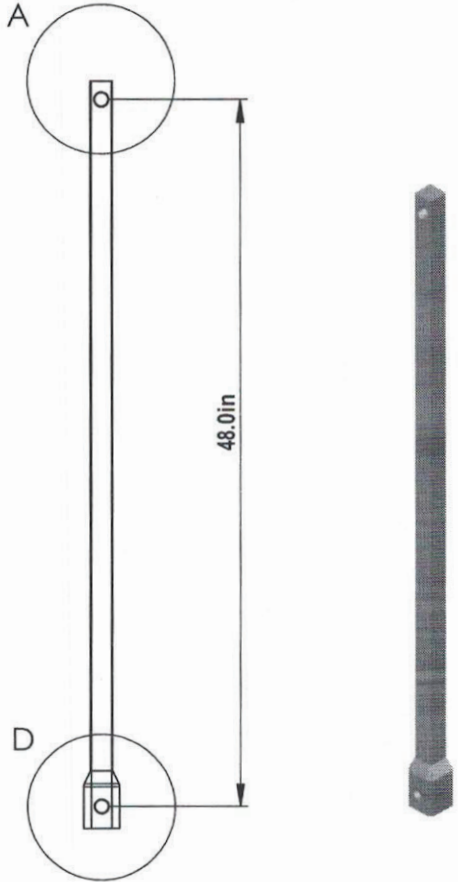
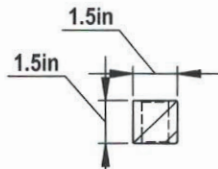


NOTES:

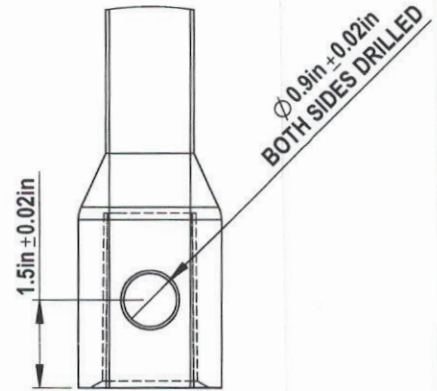
1. SHAFT: 1.5" SQUARE ROUND CORNER SOLID BAR
GRADE 1530M2 OR GRADE 1045M2
MINIMUM YIELD 85 KSI
MINIMUM TENSILE STRENGTH 100 Ksi
2. TORQUE STRENGTH RATING = 6,700 FT-LB
3. LOAD TO TORQUE RATIO (KT) = 10
4. USE ONE $\frac{7}{8}$ " A325 GR 5 BOLT TO ATTACH TO AN EXTENSION.
5. AVAILABLE NOMINAL LENGTHS ARE 5', 7' AND 10.5'
6. AVAILABLE HELIX SIZE ARE 8, 10, 12, 14 AND 16"
7. HELIXES ARE A36 STEEL, WITH PITCH OF 2.90" \pm 0.375"



A **DETAIL A**
N.T.S.



B **SECTION C-C**
N.T.S.



C **DETAIL D**
EXTRUDED EXTENSION
N.T.S.

2 **1.5" RCS EXTENSION**

CANTSINK MANUFACTURING, INC.



71 First Avenue, N.W.
Lilburn, Georgia 30047
678-280-PILE(7453)
FAX:678-280-3476

Title: CANTSINK HELICAL PILE EXTENSION		Catalog No. 1.5RCSX04	
Revision: RV-12-12/26/2017	Scale: N.T.S.	Drawn by: LXSS	Sheet: 1/1