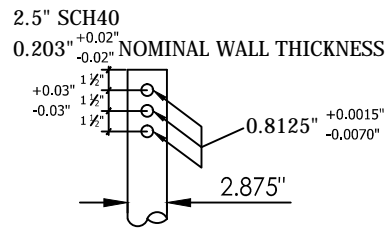
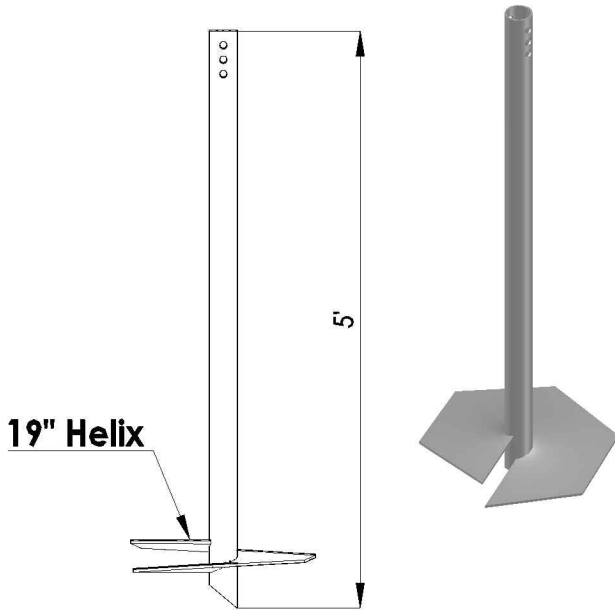


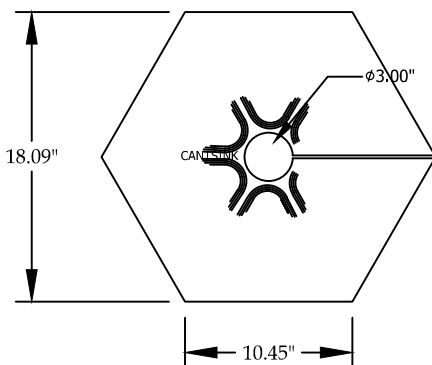
**NOTES:**

1. SHAFT: ROUND STRUCTURAL ERW TUBING PER ASTM A500 GR B, 2.50" SCH40. MINIMUM YIELD 50 KSI, MINIMUM TENSILE STRENGTH 65 KSI AND MINIMUM ELONGATION 23 PERCENT.
2. TORQUE STRENGTH RATING = 6,000 FT-LB
3. LOAD TO TORQUE RATIO (KT) = 9
4. USE THREE 3/4" A307 GR A BOLTS TO ATTACH TO AN EXTENSION.
5. AVAILABLE NOMINAL LENGTHS ARE 5', 7' AND 10.5'



**A** **DETAIL A**  
N.T.S.

**1 2.5" SCH40 SINGLE HELIX**  
1:20



**2 19" HELIX**  
N.T.S.

CANTSINK MANUFACTURING, INC.



71 First Avenue, N.W.  
Lilburn, Georgia 30047  
678-280-PILE(7453)  
FAX:678-280-3476

Title: CANTSINK HELICAL PILE LEAD		Catalog No. 2.5-40L05-19	
Revision: RV-12-06/06/2017	Scale: N.T.S.	Drawn by: LXSS	Sheet: 1/1