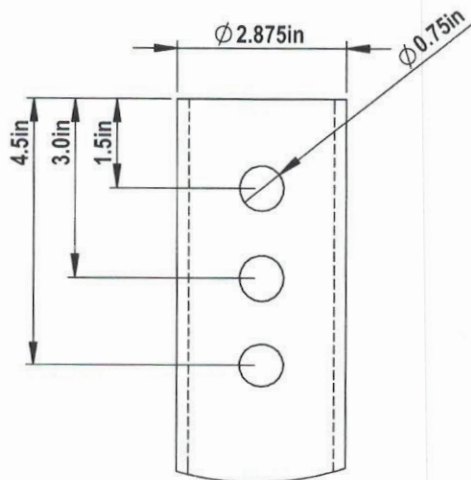
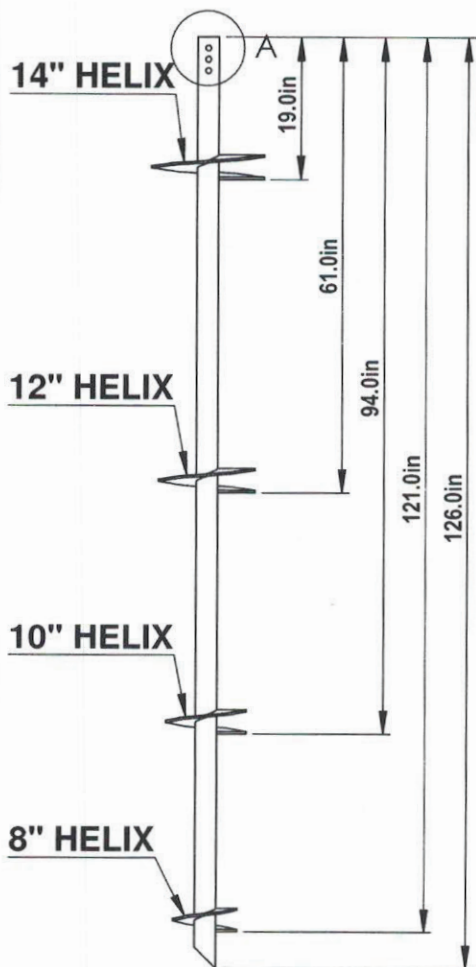


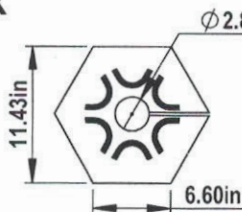
NOTES:

1. SHAFT: ROUND STRUCTURAL ERW TUBING PER ASTM A500 GR B, 2.50" SCH40. MINIMUM YIELD 50 Ksi, MINIMUM TENSILE STRENGTH 65 Ksi AND MINIMUM ELONGATION 23 PERCENT.
2. TORQUE STRENGTH RATING = 6,000 FT-LB
3. LOAD TO TORQUE RATIO (KT) = 9
4. USE THREE $\frac{3}{4}$ " A307 GR A BOLTS TO ATTACH TO AN EXTENSION.
5. AVAILABLE NOMINAL LENGTHS ARE 2', 5', 7' AND 10.5'

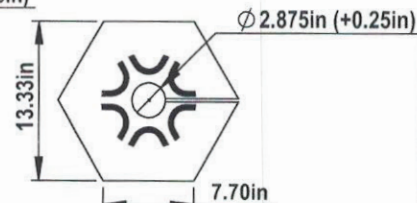


A **DETAIL A**
N.T.S.

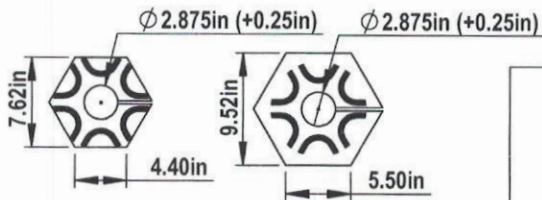
1 **2.5" SCH40 QUADRUPLE HELIX**
 $\frac{1}{2}" = 1'-0"$



4 **12" HELIX**
N.T.S.



5 **14" HELIX**
N.T.S.



2 **8" HELIX**
N.T.S.

3 **10" HELIX**
N.T.S.

CANTSINK MANUFACTURING, INC.



71 First Avenue, N.W.
Lilburn, Georgia 30047
678-280-PILE(7453)
FAX:678-280-3476

Title: CANTSINK HELICAL PILE LEAD		Catalog No. 2.5-40L10-8/10/12/14	
Revision: RV-12-12/7/2017	Scale: N.T.S.	Drawn by: LXSS	Sheet: 1/1

