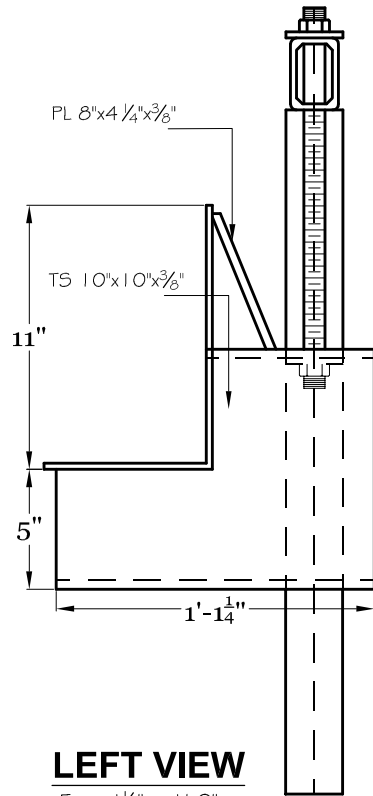


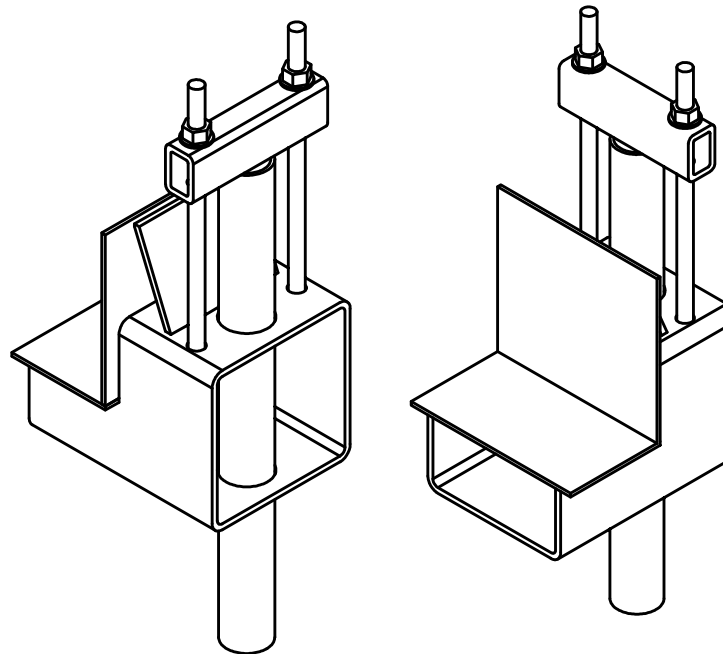
FRONT VIEW

Esc: 1/2" = 1'-0"



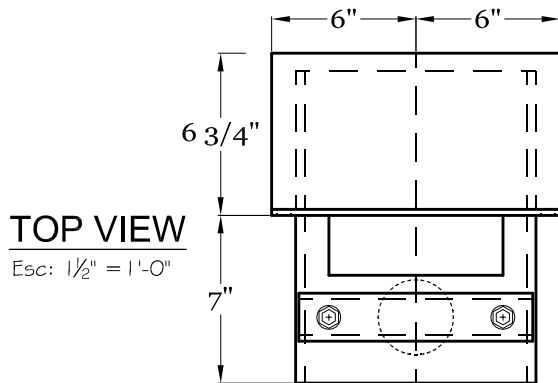
LEFT VIEW

Esc: 1/2" = 1'-0"



NOTES:

1. UPB ULTIMATE COMPRESSION LOAD 47 KIPS
2. UPB WORKING LOAD 23.5 KIPS (SF = 2)
3. TORQUE STRENGTH RATING = 6,000 FT-LB
4. SHAFT: ROUND STRUCTURAL ERW TUBING PER ASTM A500, GRADE B, 2.875" O.D.
5. USE 3/4" BOLTS TO ATTACH TO AN EXTENSION
6. COLD FORM EXTENSIONS
7. AVAILABLE NOMINAL LENGTHS ARE 5', 7' AND 10.5'
8. CAPACITY IS BASED ON A MINIMUM COMPRESSIVE STRENGTH OF CONCRETE OF 2,500 PSI.



TOP VIEW

Esc: 1/2" = 1'-0"



71 First Avenue, N.W.
Lilburn, Georgia 30047
678-280-PILE(7453)
FAX:678-280-3476

Description: CANTSINK UNDERPINNING BRACKET					
Customer: -			Project: -		
Location: -			Catalog No: UB-P-D		
Drawn by: LS	Date: 11/05/2015	Scale: Shown	Job No.: ----	Sheet No.: 1/1	CAD: LS